



1.3mm Axial Flat Top Phototransistor

MODEL NO : PT28-21C

■ Features :

- Fast response time
- High photo sensitivity

■ Description :

- PT28-21C is a phototransistor in miniature SMD package which is molded in a water clear plastic with flat top view lens. The device is spectrally matched to infrared emitting diode.

■ Applications :

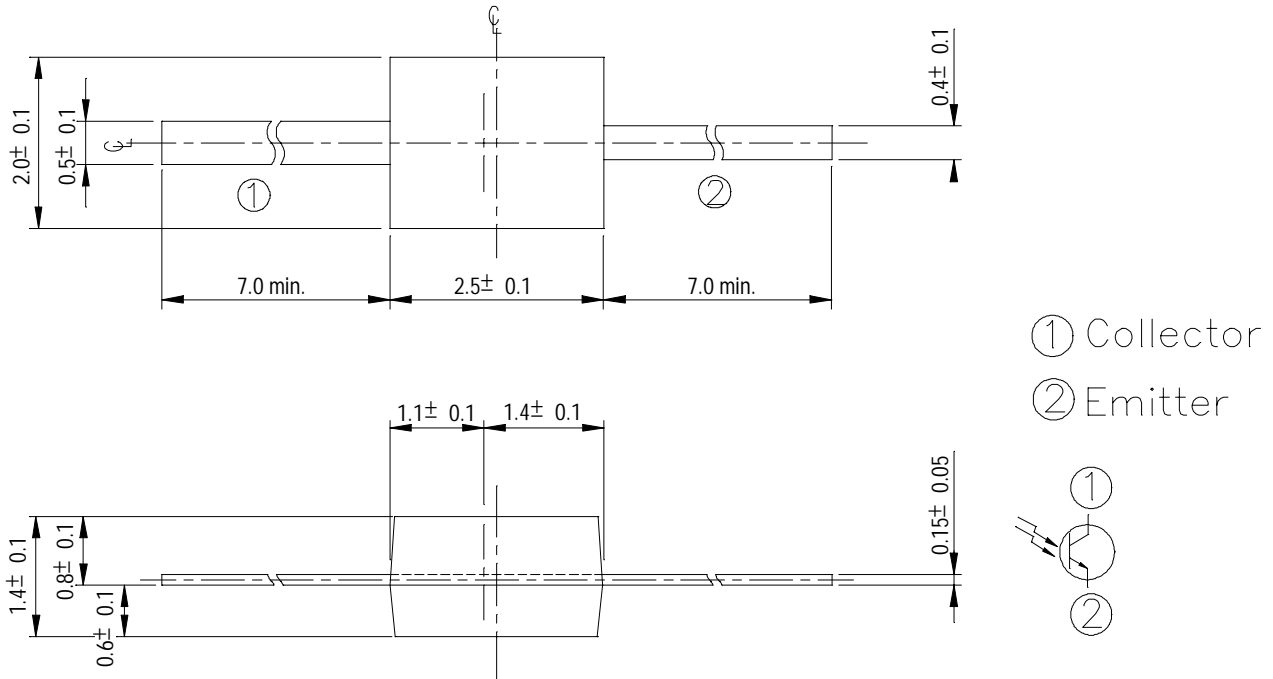
- Optoelectronic switch
- VCRs ,Video camera
- Floppy disk drive
- Infrared applied system

PART NO.	CHIP	LENS COLOR
	MATERIAL	
PT	Silicon	Water clear

1.3mm Axial Flat Top Phototransistor

MODEL NO : PT28-21C

■ Package Dimensions:



■ Notes :

1. All dimensions are in millimeter.
2. General Tolerance: ± 0.1 mm
3. Lens color : Water clear.
4. Above specification may be changed without notice. EVERLIGHT will reserve authority on material change for above specification.
5. These specification sheets include materials protected under copyright of EVERLIGHT corporation . Please don't reproduce or cause anyone to reproduce them without EVERLIGHT's consent.
6. When using this product , please observe the absolute maximum ratings and the instructions for use outlined in these specification sheets. EVERLIGHT assumes no responsibility for any damage resulting from use of the product which does not comply with the absolute maximum ratings and the instructions included in these specification sheets.



1.3mm Axial Flat Top Phototransistor

MODEL NO : PT28-21C

■ Absolute Maximum Ratings at $T_A = 25^\circ\text{C}$

Parameter	Symbol	Rating	Unit	Notice
Collector-Emitter Voltage	V_{CEO}	30	V	
Emitter-Collector- Voltage	V_{ECO}	5	V	
Collector Current	I_{C}	20	mA	
Operating Temperature	T_{opr}	-25 ~ +85	$^\circ\text{C}$	
Storage Temperature	T_{stg}	-40 ~ +85	$^\circ\text{C}$	
Soldering Temperature	T_{sol}	260	$^\circ\text{C}$	
Power Dissipation at(or below) 25 $^\circ\text{C}$ Free Air Temperature	P_{c}	75	mW	

■ Electronic Optical Characteristics :

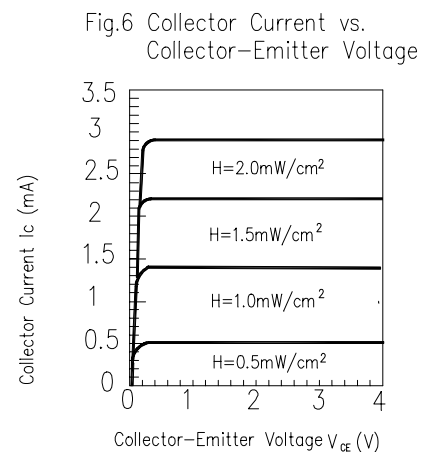
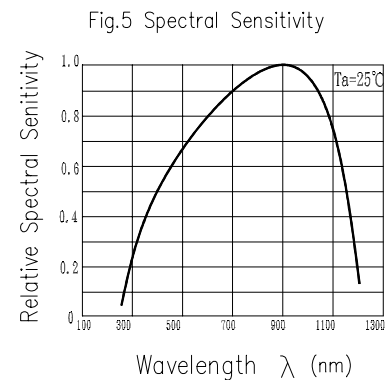
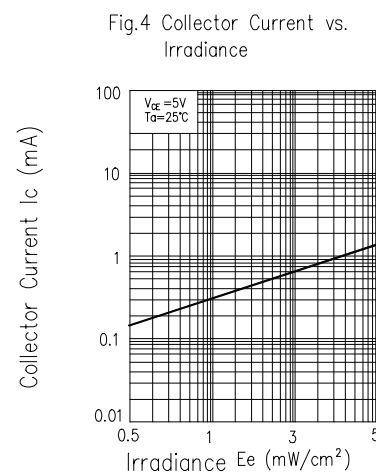
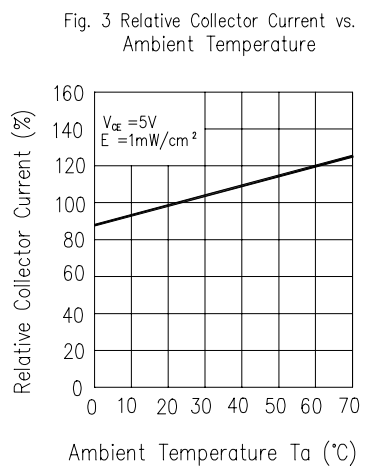
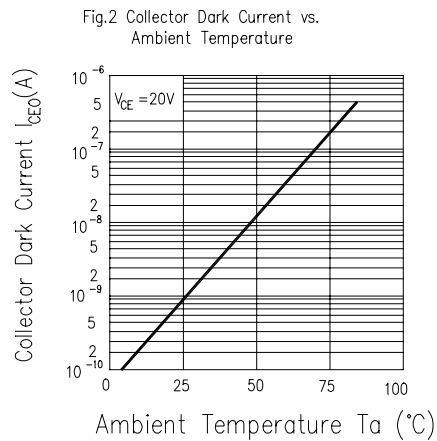
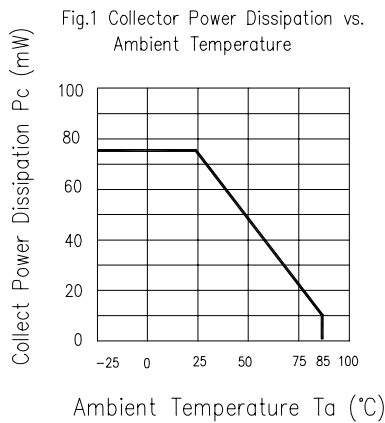
Parameter	Symbol	Min.	Typ.	Max.	Unit	Condition
Collector-Emitter Breakdown Voltage	BV_{CEO}	30	----	----	V	$I_{\text{C}}=100\mu\text{A}$ $E_e=0\text{mW}/\text{cm}^2$
Emitter-Collector Breakdown Voltage	BV_{ECO}	5	----	----	V	$I_{\text{E}}=100\mu\text{A}$ $E_e=0\text{mW}/\text{cm}^2$
Collector-Emitter Saturation Voltage	$V_{\text{CE(sat)}}$	----	----	0.4	V	$I_{\text{C}}=2\text{mA}$ $E_e=1\text{mW}/\text{cm}^2$
Rise Time	t_{r}	----	15	----	μS	$V_{\text{CE}}=5\text{V}$ $I_{\text{C}}=1\text{mA}$ $R_{\text{L}}=1000\Omega$
Fall Time	t_{f}	----	15	----		
Collector Dark Current	I_{CEO}	----	----	100	nA	$V_{\text{CE}}=20\text{V}$ $E_e=0\text{mW}/\text{cm}^2$
On State Collector Current	$I_{\text{C(on)}}$	0.1	0.3	----	mA	$V_{\text{CE}}=5\text{V}$ $E_e=1\text{mW}/\text{cm}^2$
Wavelength of Peak Sensitivity	λ_{p}	----	980	----	nm	----
Rang of Spectral Bandwidth	$\lambda_{0.5}$	----	400---1200	----	nm	----



1.3mm Axial Flat Top Phototransistor

MODEL NO : PT28-21C

■ Typical Electrical/Optical/Characteristics Curves





EVERLIGHT ELECTRONICS CO., LTD.

DEVICE NUMBER : DPT-028-028 REV : 1.3
 ECN : _____ PAGE : 5/7

1.3mm Axial Flat Top Phototransistor

MODEL NO : PT28-21C

■ Reliability Test Item And Condition

The reliability of products shall be satisfied with items listed below.

Confidence level:90%

LTPD:10%

NO.	Item	Test Conditions	Test Hours/ Cycles	Sample Sizes	Failure Judgement Criteria	Ac/Re
1	Solder Heat	TEMP : 260°C ± 5 °C	5 secs	22 pcs		0/1
2	Temperature Cycle	H : +85°C 30 mins ↑ 5 mins ↓ L : -55°C 30 mins	50 cycles	22 pcs	$I_R \geq U \times 2$ $E_e \leq L \times 0.8$ $V_F \geq U \times 1.0$	0/1
3	Thermal Shock	H : +100°C 5 mins ↑ 10 secs ↓ L : -10°C 5 mins	50 cycles	22 pcs	U :Upper specification limit L :Lower specification limit	0/1
4	High Temperature Storage	TEMP. : +100°C	1000 hrs	22 pcs		0/1
5	Low Temperature Storage	TEMP. : -55°C	1000 hrs	22 pcs		0/1
6	DC Operating Life	$I_F = 20\text{mA}$	1000 hrs	22 pcs		0/1
7	High Temperature / High Humidity	85°C / 85% R.H.	1000 hrs	22 pcs		0/1

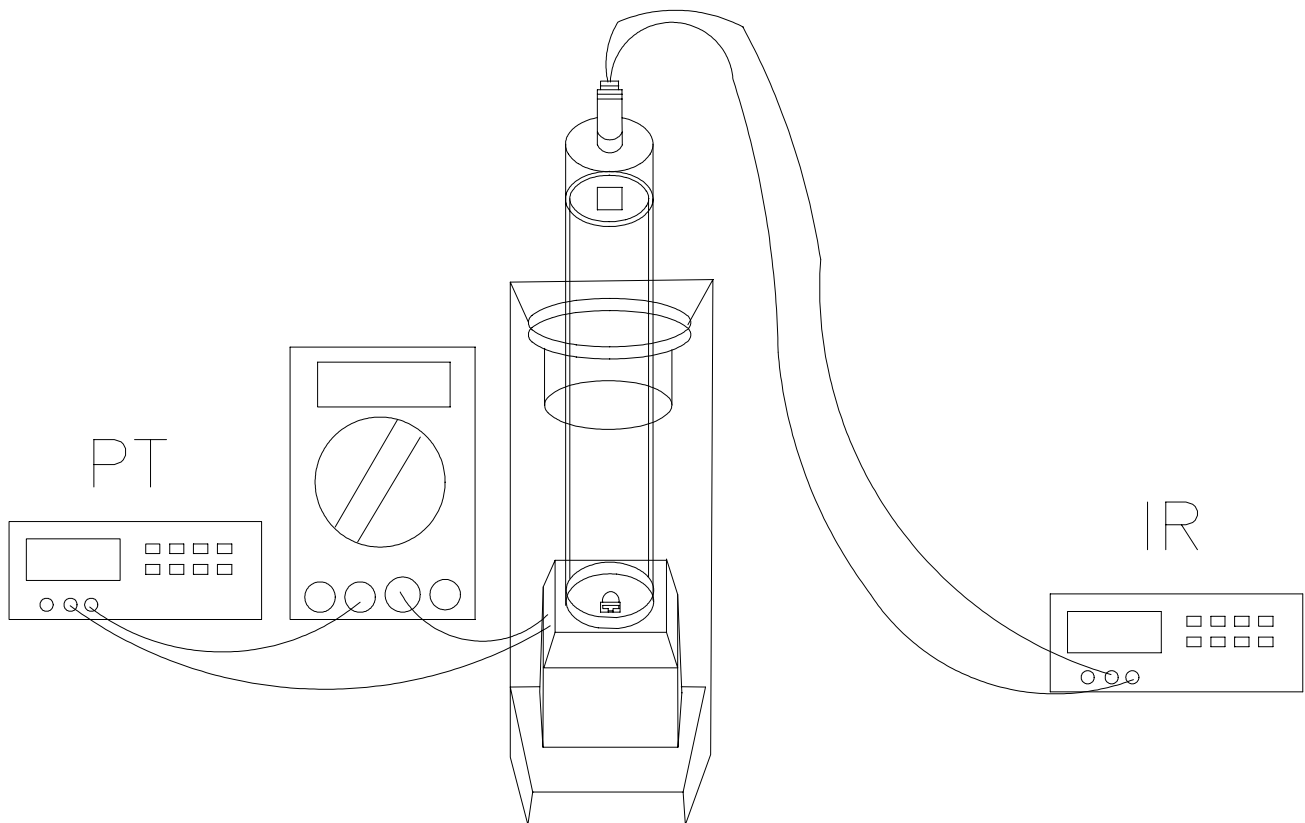
1.3mm Axial Flat Top Phototransistor

MODEL NO : PT28-21C

■ Test Method For On State Collector Current :

Condition : $E_e=1\text{mW}/\text{cm}^2$, $V_{CE}=5\text{V}$ Test Item : Collector Current [$I_{C(on)}$]

Unit : mA



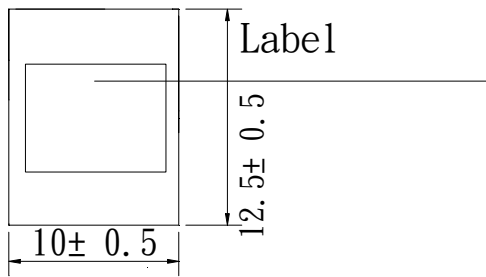


1.3mm Axial Flat Top Phototransistor

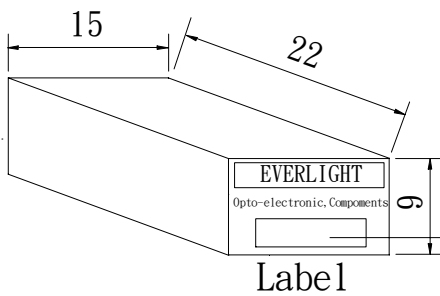
MODEL NO : PT28-21C

■ Packing Specifications

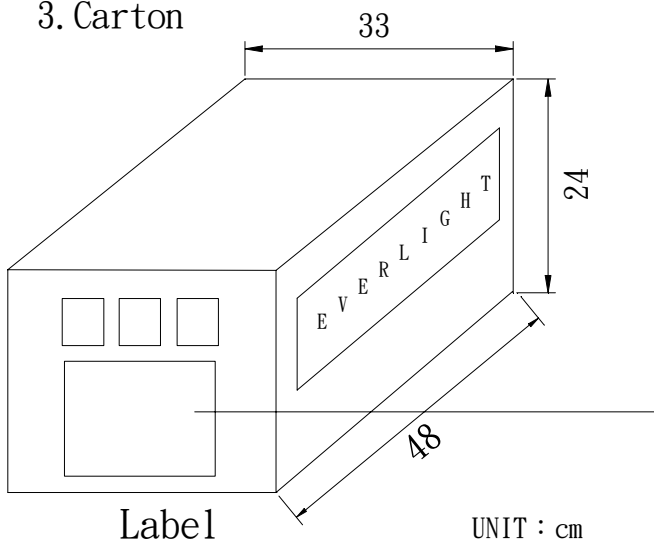
1. Bag



2. Box



3. Carton



UNIT : cm

EVERLIGHT

CPN:
P/N:



PT28-21C

QTY:



CAT:
HUE:
REF:

LOT NO:

MADE IN TAIWAN

CPN : Customer's Production Number
P/N : Production Number
QTY : Packing Quantity
CAT : Ranks
HUE : Peak Wavelength
REF : Reference
LOT NO : Lot Number
MADE IN TAIWAN : Production place

■ Packing Quantity Specification

1. 1000 Pcs/1Bag , 20 Bags/1Box
2. 10 Boxes/1Carton